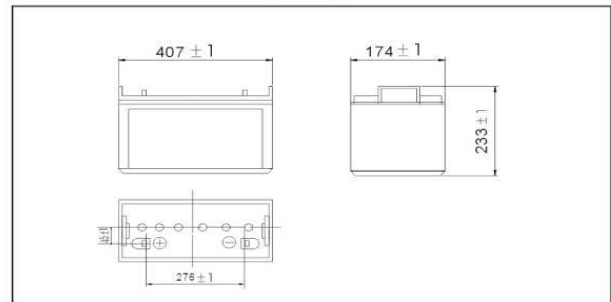


**BATTERIA HPB in AGM  
mod. HB121200**

**cod. HB1201200APN160 (12V 1200Ah)**



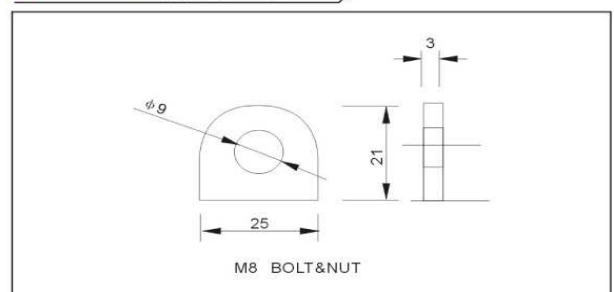
**Outer dimensions (mm)**



**Specifications**

Nominal Voltage	12V	
Rated capacity (10 hour rate)	120 Ah	
Dimensions	Total Height	233 mm (9.17 inches)
	Height	209 mm (8.23 inches)
	Length	407 mm (16.0 inches)
	Width	174mm (6.85 inches)
Weight Approx	38 Kg (83.7 lbs)	

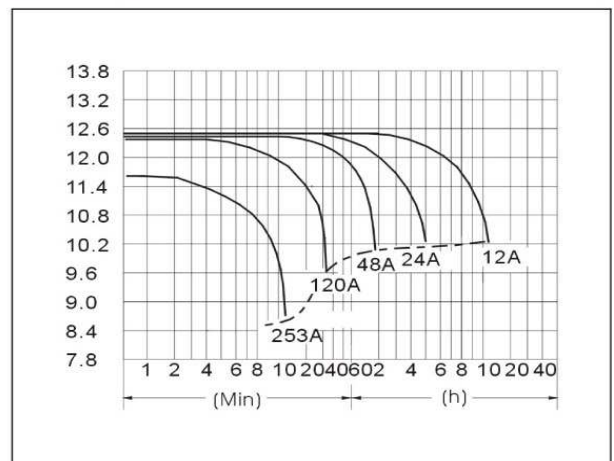
**Terminal Type (mm)**



**Characteristics**

Capacity 25°C(77°F)	10 hour rate(12.0A)	120 AH
	5 hour rate(19.2 A)	96 AH
	1 hour rate(72.0 A)	72 AH
	1.5 hour discharge to 10.5V	48 A
Internal Resistance	Full charged Battery at 25°C(77°F)	2.5 mΩ
Capacity affected by Temperature (10hour rate)	40°C(104°F)	102%
	25°C(77°F)	100%
	0°C(32°F)	85%
	-15°C(5°F)	65%
Self-Discharge at 25°C(77°F)	Capacity after 3 month storage	91%
	Capacity after 6 month storage	82%
	Capacity after 12 month storage	64%
Terminal	T11	
Charge (constant Voltage)	Cycle	Initial Charging Current less than 48 A Voltage 14.10-14.40V
	Float	Voltage 13.50-13.80V

**Discharge Curves 25°C(77°F)**



**Constant Current(Amp) and Constant Power(Watt) Discharge Table at 25°C(77°F)**

Time		5min	10min	15min	30min	1h	2h	3h	4h	5h	8h	10h	20h
9.60V	A	384	253	204	136.8	72.0	42.0	30.8	24.0	19.8	14.04	12.60	6.80
	W	3967	2704	2189	1471	778	461	343	270	225	161	146	79.1
10.20V	A	372	228	192	130.8	67.7	40.1	30.0	23.4	19.4	13.68	12.36	6.60
	W	3976	2551	2151	1468	765	462	347	272	227	160	145	77.4
10.50V	A	360	204	168	122.4	65.5	39.1	29.3	23.0	19.2	13.56	12.12	6.60
	W	3933	2325	1919	1409	759	454	341	270	225	159	143	78.0
10.80V	A	347	193	156	112.8	63.4	38.2	28.6	22.7	18.7	13.20	12.00	6.48
	W	3894	2221	1800	1307	738	447	337	268	221	156	143	77.2
11.10V	A	335	180	144	100.8	61.2	37.2	27.6	22.1	18.2	12.84	11.40	6.12
	W	3803	2090	1679	1179	720	440	328	263	218	154	137.6	74.2